

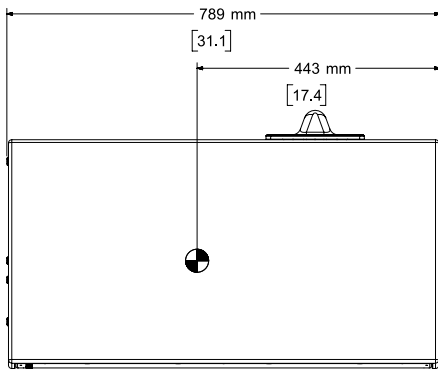




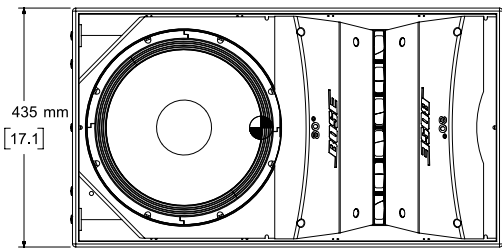
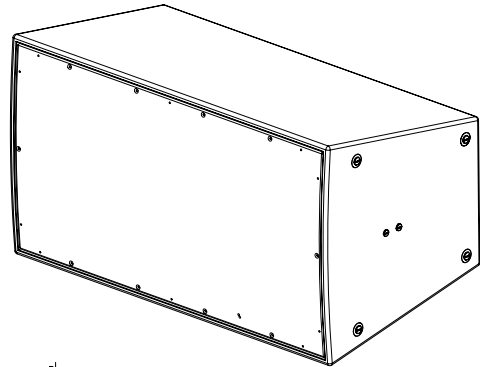




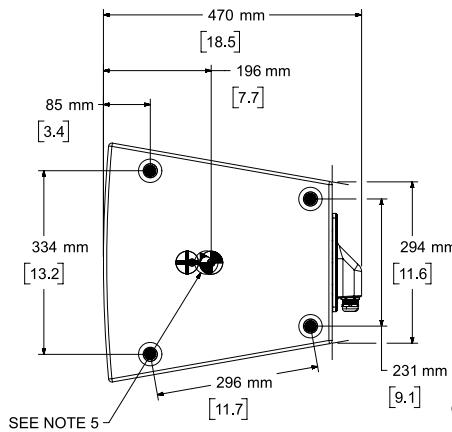
# ArenaMatch AM20



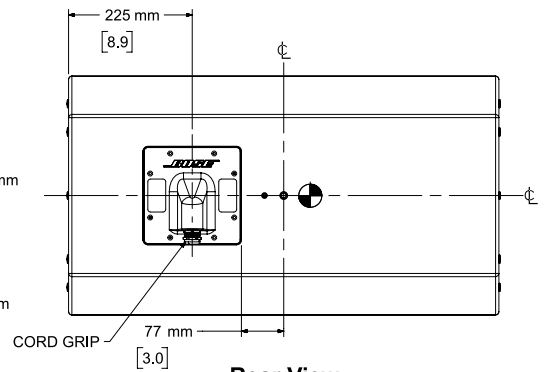
**Top View**



**Front View**  
GRILLE NOT SHOWN



**Right View**  
DIMENSIONS APPLY TO BOTH SIDES



**Rear View**

**NOTES:**

1. SYMBOL INDICATES CENTER OF GRAVITY
2. WEIGHT APPROX. 36.2kg/79.7lbs
3. DIMENSIONS ARE IN MILLIMETERS OVER INCHES
4. SYMBOL INDICATES M12 THREAD FOR AMMCPLAT
5. SYMBOL INDICATES M10 THREAD FOR AMUBRKT
6. SYMBOL INDICATES M6 THREAD FOR AIMING STABILIZATION

仕様および設置についての詳細は、[こちら](#) を参照してください。