



## Polar Plots for Bose Loudspeakers

In the enclosed document, you will find horizontal and vertical polar plots for Bose loudspeakers.

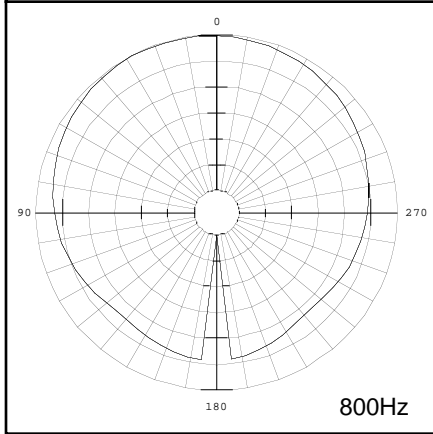
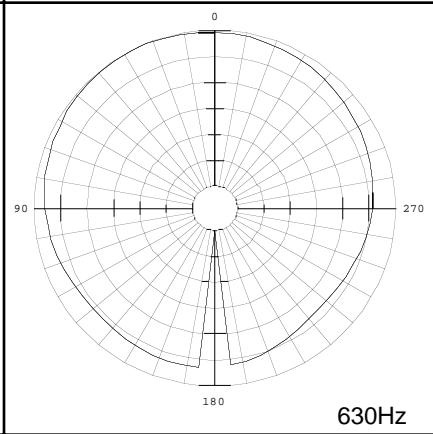
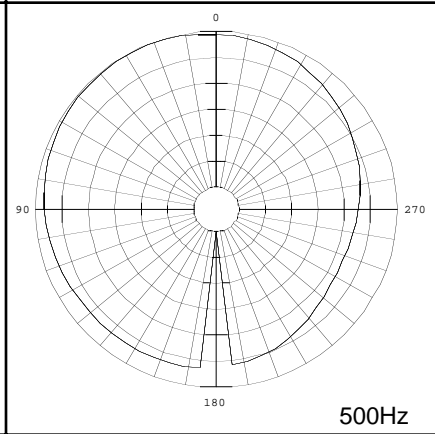
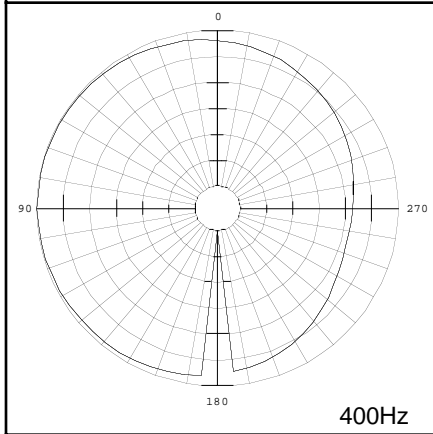
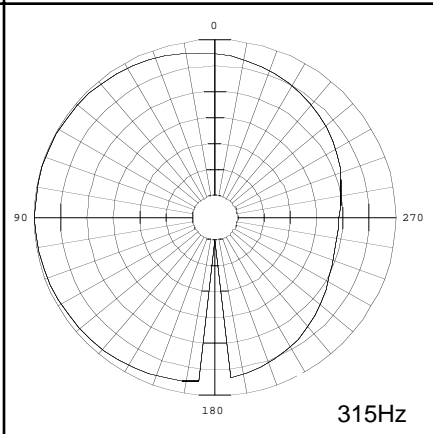
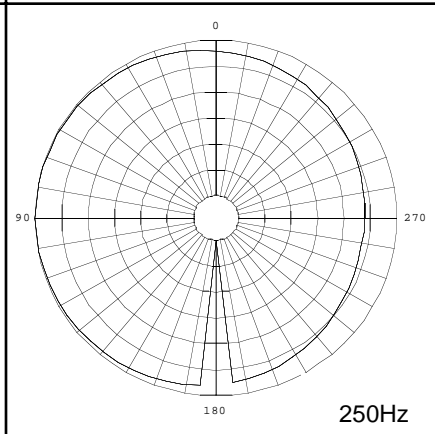
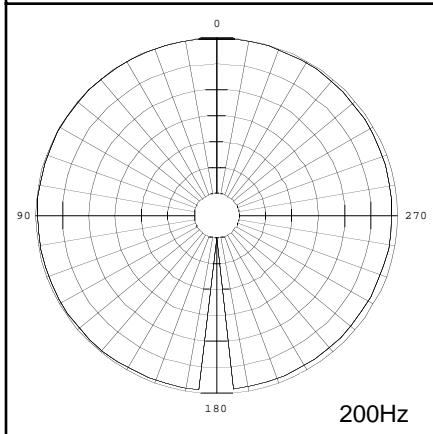
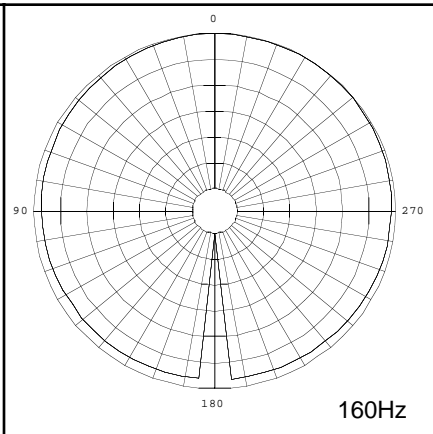
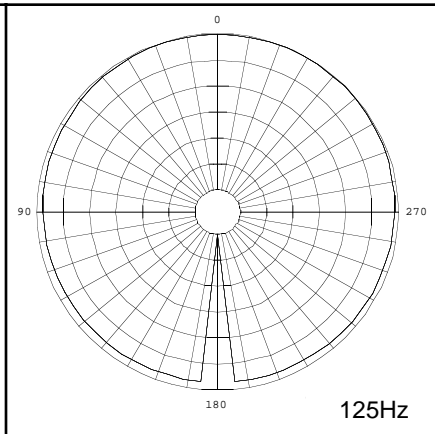
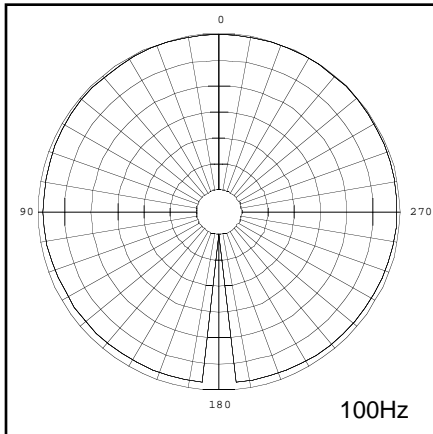
Loudspeakers have been measured in an anechoic environment, by locating them on a turntable with a fixture that holds the speaker rigidly over the center of the turntable. The turntable is then rotated with a microphone in the far field to obtain polar measurements.

All polar plots are shown on a 5dB / division scale. This data is 1/3 octave-band polar data.

For further information please consult the technical specifications of the speaker or contact your local Bose representative. You can find all polar plots on our website <http://pro.bose.com>.

April 02

Data is periodically updated without notice to reflect most recent data.

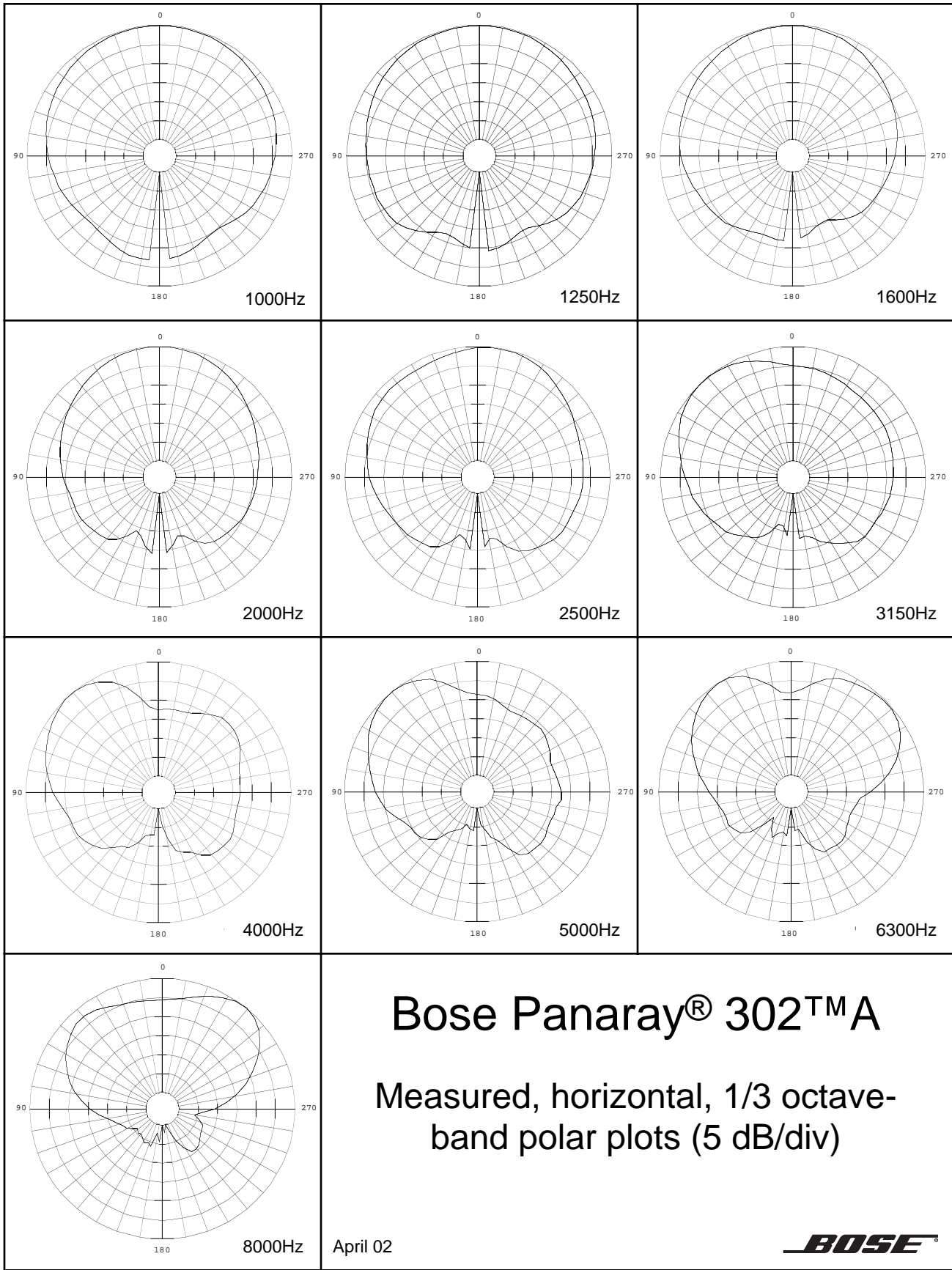


# Bose Panaray<sup>®</sup> 302<sup>™</sup>A

Measured, horizontal, 1/3 octave-band polar plots (5 dB/div)

April 02



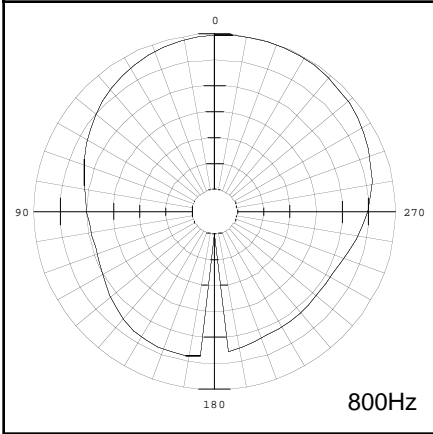
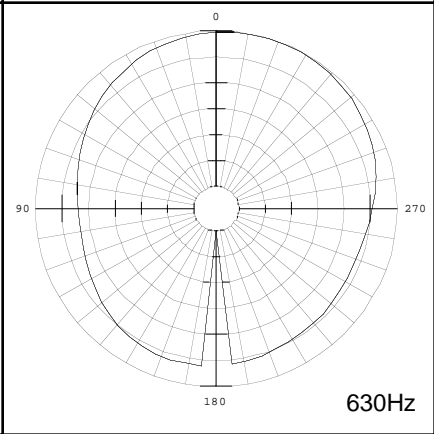
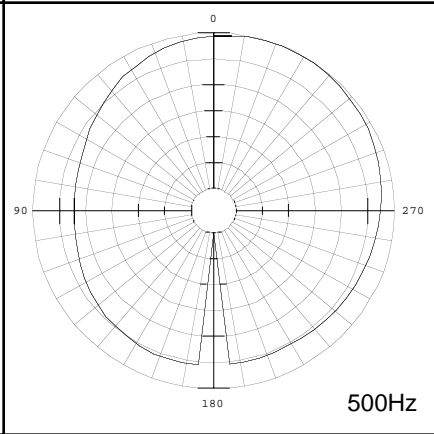
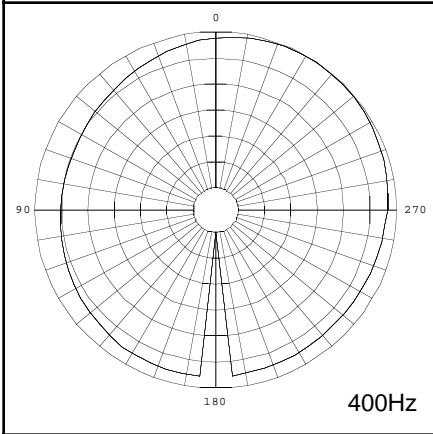
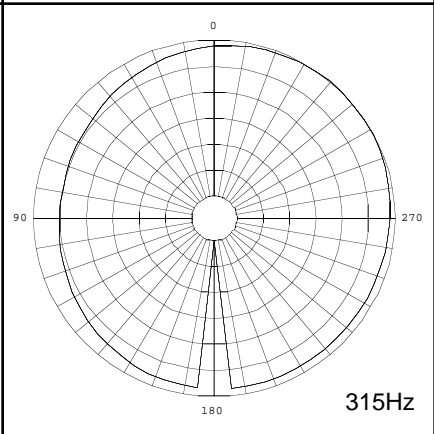
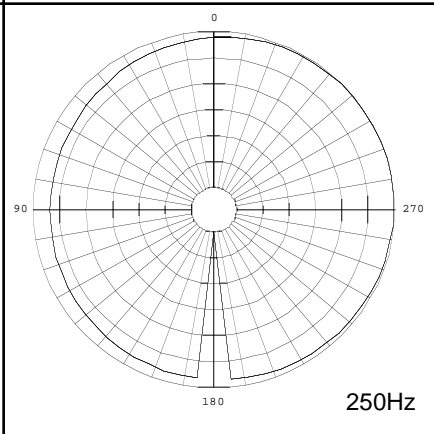
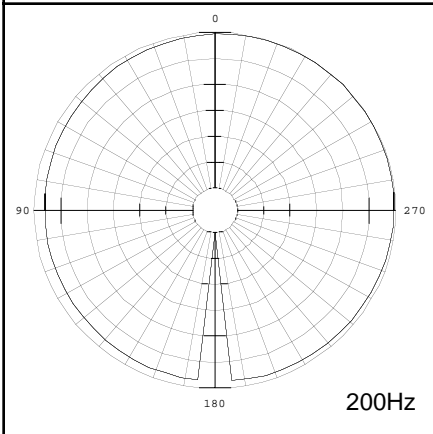
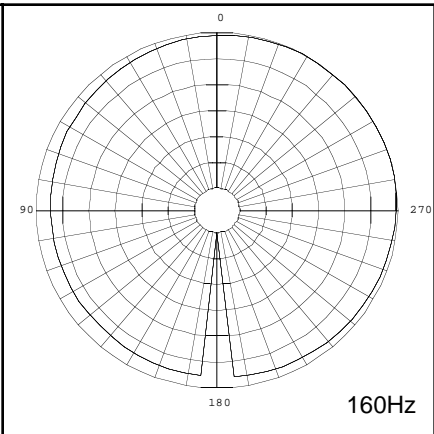
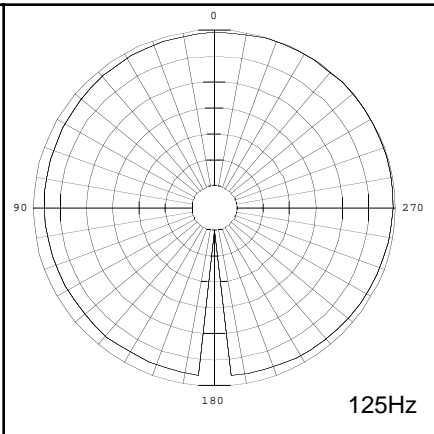
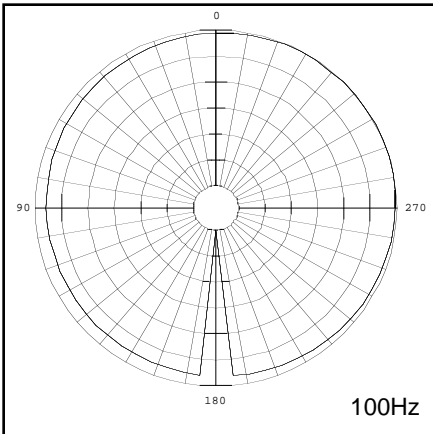


# Bose Panaray<sup>®</sup> 302<sup>™</sup>A

Measured, horizontal, 1/3 octave-band polar plots (5 dB/div)

April 02



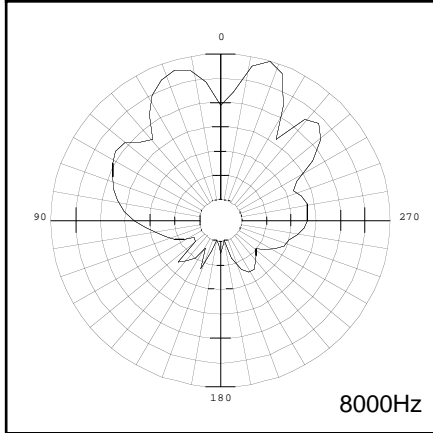
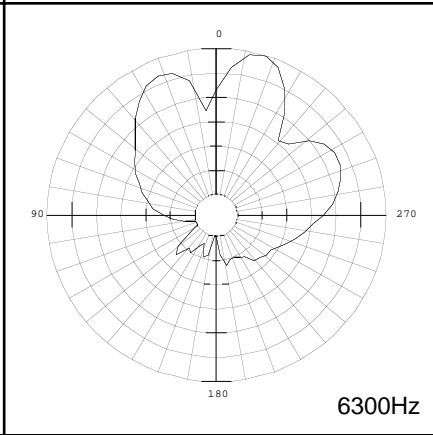
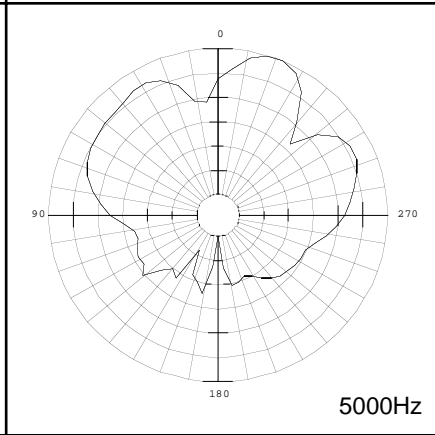
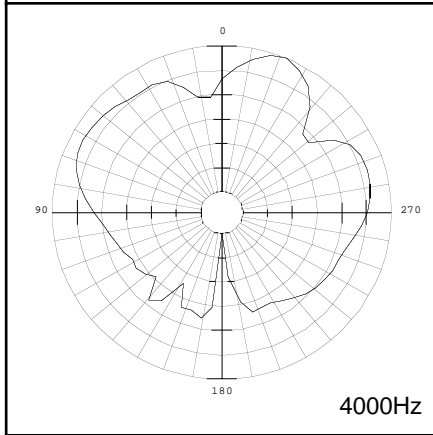
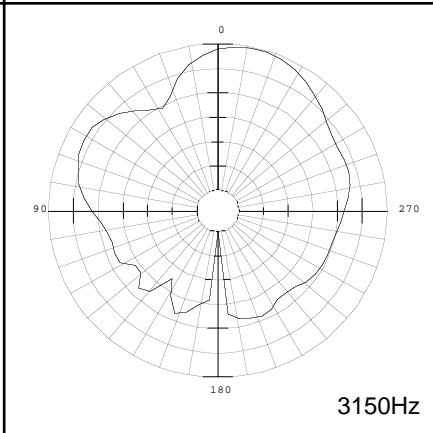
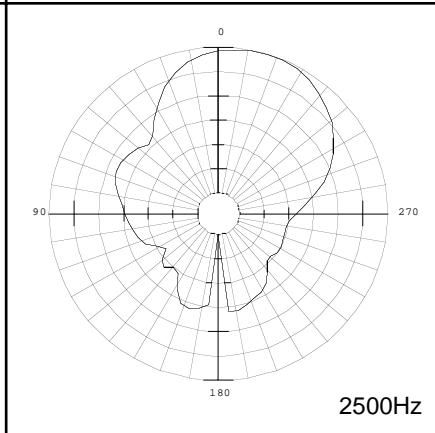
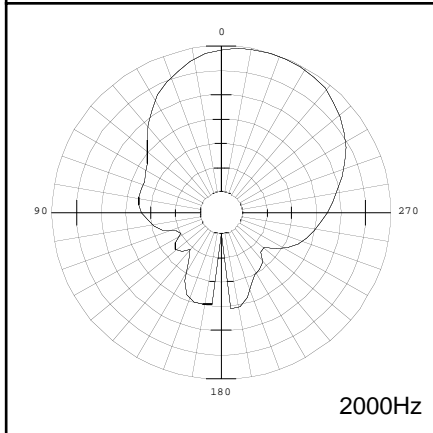
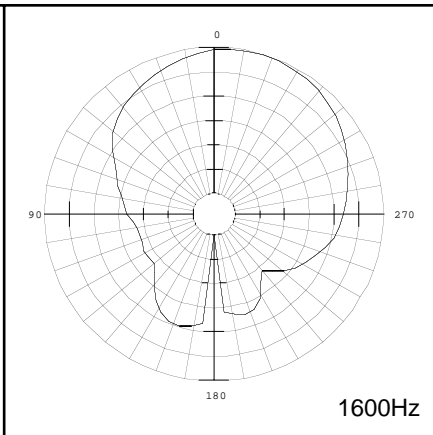
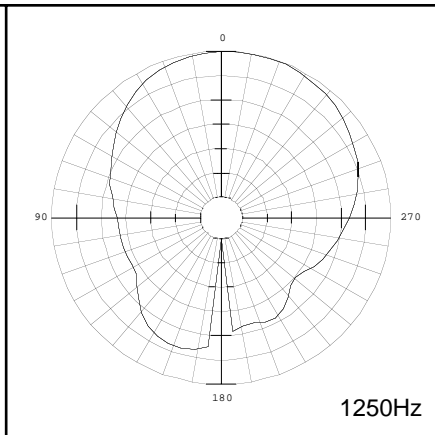
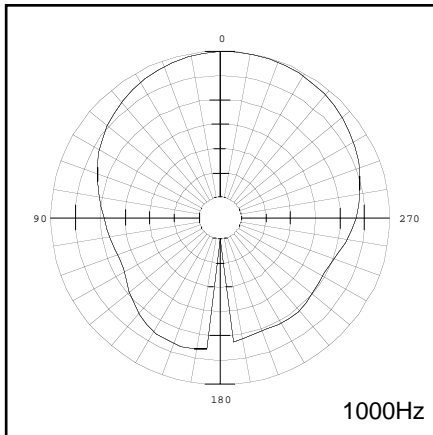


# Bose Panaray<sup>®</sup> 302<sup>™</sup>A

Measured, vertical, 1/3 octave-band polar plots (5 dB/div)

April 02





**Bose Panaray<sup>®</sup> 302<sup>™</sup>A**

Measured, vertical, 1/3 octave-band  
polar plots (5 dB/div)

April 02

**BOSE**